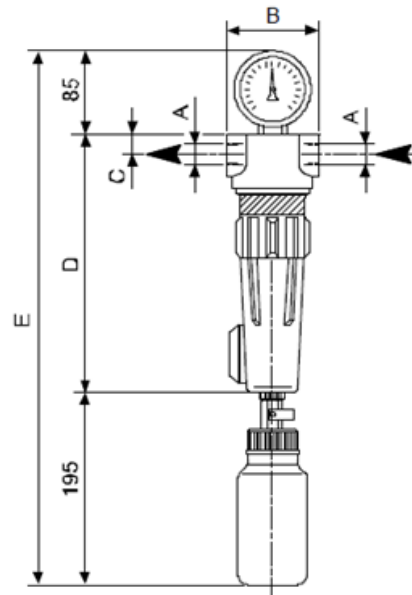


ANTIBACTERIAL FILTERS FOR MEDICAL VACUUM:

DVP has developed a new “FMB” sterilizing bactericidal filter unit for medical vacuum. It is recommended for especially critical applications such as removing microorganisms and/or any other types of contamination that may be present in the vacuum pump intake area, helping to decontaminate the intake volume as well as protect the pump and atmosphere. It may be used in all hospital wards that use vacuum, such as for instance maternity, stomatology, odontology and other environments such as emergency, pathology and testing laboratories, and in the pharmaceutical industry.

“FMB” bactericidal filters are made up of two essential parts: the filter element and attached drainage vessel. It must be installed upright, with the drainage vessel facing down. The filter elements must be replaced when they reach a significant load loss, as shown on the clog indicator located on the head of the bactericidal filter, and in any case at least every six months. Tests have shown that the sterilizing cartridges of “FMB” filters have a retention efficiency of more than 99,999%.



Model	Code	Air flow rate ⁽¹⁾ Nm ³ /h	Air flow rate @ 350mbar m ³ /h		Connections				
					A	B	C	D	E
FMB 21	9001092	16	48	1801086	1/2"G	94	21	244	514
FMB 51	9001093	41	126	1801087	1"G	128	32	337	607
FMB 80	9001094	66	198	1801088	1-1/4"G	128	32	417	687
FMB 121	9001095	120	360	1801089	1-1/2"G	190	50	518	788
FMB 201	9001096	190	570	1801090	2"G	190	50	616	886

1) Flow rate measured with 10 mbar pressure loss