

PRODUCT DESCRIPTION:

The DB.2D pump is equipped with:

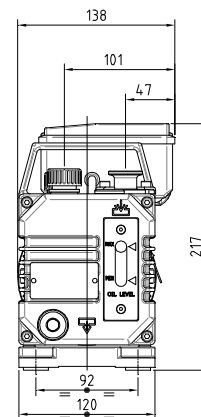
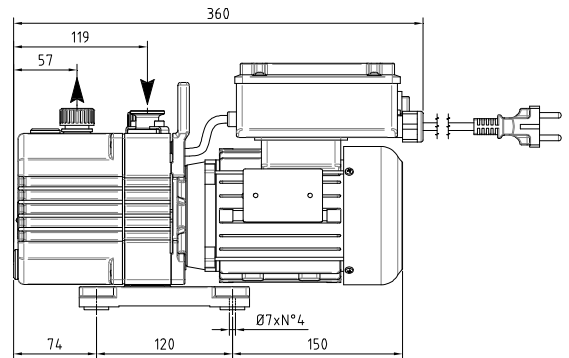
- On/Off switch (1~ only)
- Manual reset amperometric circuit breaker (1~ only)
- Cable with schuko plug (1~ only)
- Gas ballast
- Handle for transport
- Solenoid-pneumatic oil check system
- Shock mounts

Very high reliability, vibration free, low noise level and easy maintenance are the main features of this series that make it suitable for laboratories, research institutes and universities.

A coupling drive connecting motor and pump ensures reliable operation, long life and easy maintenance. Moreover this series can be fitted as backing pump on ultra-high vacuum units.

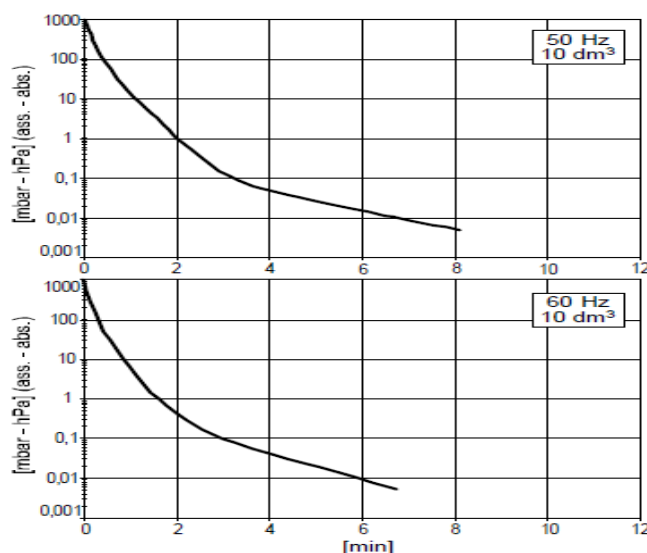
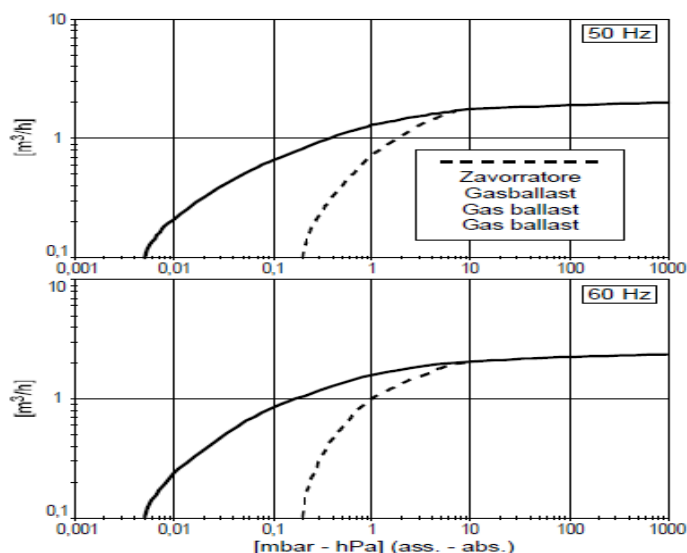
MAIN APPLICATION FIELDS:

DVP vacuum technology can be applied in some fields of the analytical sector: laser, leak detectors, freeze dryers, mass spectrometers and chromatography, laboratory autoclaves, microscopy, space simulators, under vacuum distillers, gel dryers, centrifuges and laboratory autoclaves.



Subject to change without prior notice

Main accessories	DB.2D
Minor spare parts kit	K9602017
Major spare parts kit	K9602017/1
Shock mounts	Fitted
Outlet stepped hose fitting	2103008 (Ø12)
Exhaust mist eliminator	9001039



NOTE: Graph shows inlet pressure at a temperature of 20°C (tolerance ±10%)

		DB.2D	
		50Hz	60Hz
Catalogue code		9602017	
Number of stages		2	
Nominal capacity	m ³ /h	2,4	2,9
Pneurop capacity	m ³ /h	2	2,4
Total final pressure (Abs)	mbar - hPa	0,005	
Partial final pressure (Abs) (McLeod)	mbar - [micron]	0,0005 [0,37]	
Final pressure with gas ballast (Abs)	mbar - hPa	0,2	
Max inlet pressure for water vapour	mbar - hPa	15	
Max water vapour pumping rate	kg/h	0,02	
Motor power	(1~) KW	0,25	0,30
Nominal r.p.m	n/min	2800	3300
Noise level (UNI EN ISO2151 - K 3dB)	dB (A)	52	54
Weight	(1~) kg [N]	10 [98,1]	
Oil type	cod. DVP	SW60	
Oil quantity	min ÷ max dm ³	0,26 ÷ 0,37	
Pump intake / outlet		DN16 / 1/2"G	
Operating temperature @ 20°C	°C	45 ÷ 50	
Required room temp. for place of installation	°C	12 ÷ 40	
Ambient temperature for storage / transport	°C	-20 ÷ 50	
Max humidity / altitude		80% / 1000m s.l.m. *	

(*) Please contact us if environmental conditions are different from those prescribed.