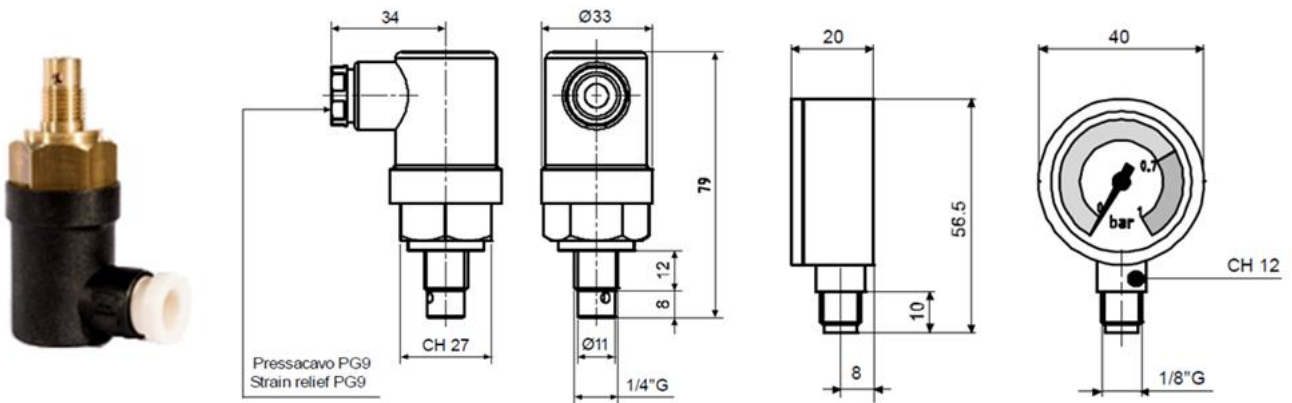


CLOGGED EXHAUST FILTER INDICATOR:

This device was developed for use on lubricated vacuum pumps and whenever it is necessary to monitor the efficiency of the damping filter on the exhaust. The model SIF 1 in particular measures the increase in load loss in a filter caused by gradual clogging, by means of an electrical alarm indication, after the fluid to be filtered has reached a temperature of 30°C (thus avoiding false alarms when starting at low temperatures). It is essentially made up of a diaphragm pressure switch with a NO electrical contact, combined with a bimetal thermometer set to 30° also with an NO contact, connected in series with the pressure switch. The model SIF 2 consists of a mechanical bourdon spring pressure gauge which visually indicates the pressure level reached in the tank, and a colored quadrant warning when the filter is clogged.



Subject to change without prior notice

		SIF 1	SIF 2
Catalogue code		9019001	9014003
Maximum operating voltage	V AC	220	----
Maximum operating power	VA	100	----
Operating room temperature	°C	-5 ÷ 60	-5 ÷ 60
Acting threshold	bar	0,8 ± 0,2	----
Diaphragm		NBR	----
Insulation voltage	V	1500	----
Current: resistive / inductive	A	0,5 / 0,2	----
Protection class	EN 60529	IP65	----
Contact		NA /Normal open	----
Accuracy class	EN 8293	----	2,5