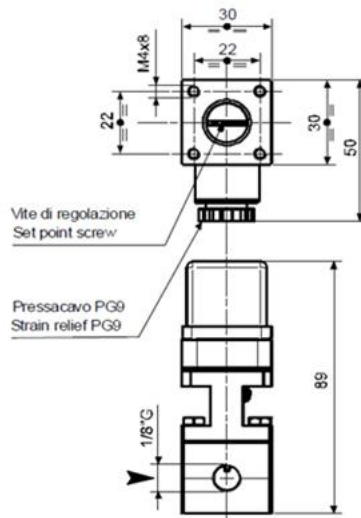
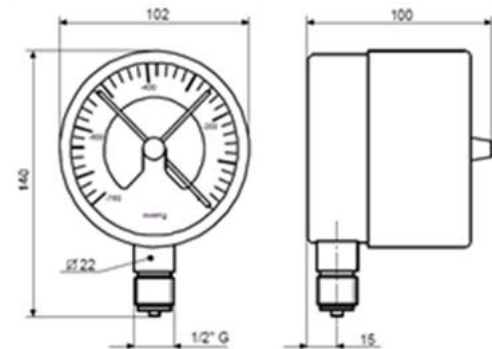
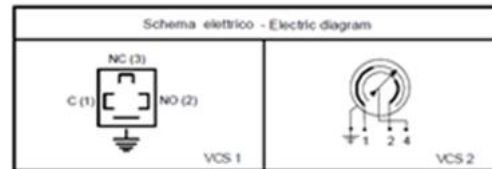


These accessories are able to open or close an electrical contact based on the pressure at which they are set. In the model 9008002 the electric control device has been built into a vacuum gauge on which you may rapidly set, using two mobile indicators, the pressure values at which to open and close the contacts.



VCS 1



VCS 2

Subject to change without prior notice

		VCS 1	VCS 2
Catalogue code		9008005	9008002
Max contact capacity with resistive load	A	3	0,6
Max contacts capacity with inductive load	A	2*	0,2
Rated voltage	V (AC)	24	
Max load	VA	90	50
Operating pressure (abs.)	mbar-hPa	900 ÷ 50	1000 ÷ 50
Repeatability	mbar-hPa	±10	----
Hysteresis	mbar-hPa	= 50	Regolabile Adjustable
Protection class	EN 60529	IP 65	IP 44
Required operating room temperature	°C	-5 ÷ 70	
Max frequency of operation	1/min	60	30

i(*) It recommended to use transient suppressor