

CONDENSATION SEPARATOR FILTERS

These prevent condensable fumes or liquids from the system from being taken in. The housing is transparent to visually check the level of the intercepted liquid, and the drainage valve on the bottom of the cap allows it to be expelled.

NOTE: this operation must be carried out only with the filter at atmospheric pressure.

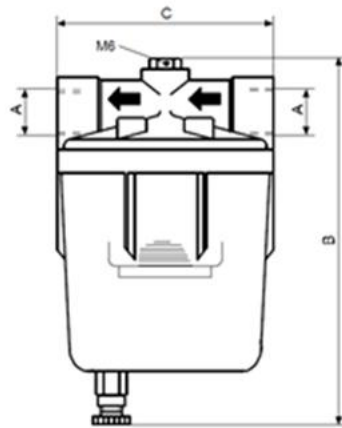


Fig. A

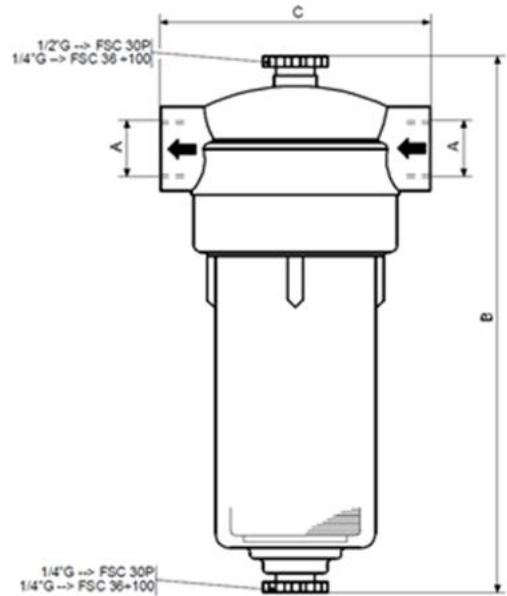


Fig. B

Model	Code	Figure	m ³ /h ⁽¹⁾	A	B	C	kg [N]	Element		µm	MAX °C	MAX bar
								Code	Material ⁽²⁾			
FSC 18R	9001013	A	18	3/8"G	135	80	0,26 [2,55]	1802012	R	100	50	0,5
FSC 30P	9001057	B	30	1/2"G	196	87	0,35 [3,43]	1803009	PS	50	50	0,5
FSC 36	9001028	B	36	3/4"G	255	125	0,75 [7,35]	1801019	FP	30	50	0,5
FSC 60	9001029	B	60	1"G	370	175	2,25 [22,05]	1801020	FP	30	50	0,5
FSC 100	9001034	B	100	1-1/2"G	450	220	4,24 [41,55]	1801026	FP	30	50	0,5

(1) Flow rate measured with 10 mbar pressure loss

(2) R=Stainless steel net FP=Synthetic felt PS=Sinterized polyethylene. It's available for code 9001013 the flask (code 4801014) for wall assembling.