

**PRODUCT DESCRIPTION:**

The LB.5 pump is equipped with:

- Exhaust mist eliminator
- Oil check valve
- Gas ballast continuously working

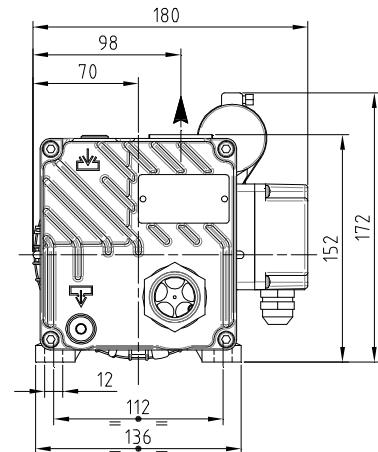
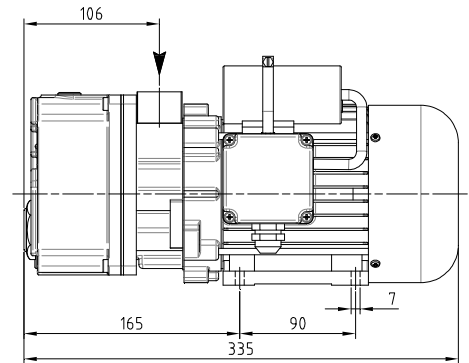
The limited dimensions, the moderate noise level, the simplified control and maintenance operations, are the main features of this pump.

The damping and recovery system, integral in the oil box, eliminates oil vapours at the exhaust. Moreover an antisuck-back device prevents the contamination of the user system should the pump to stop during operations.

The standard version is suitable for continuous suction within a pressure range from 400 to 10 mbar (ABS).

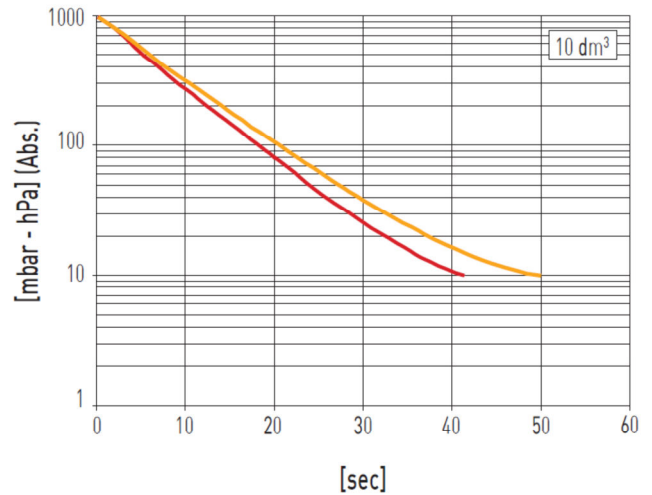
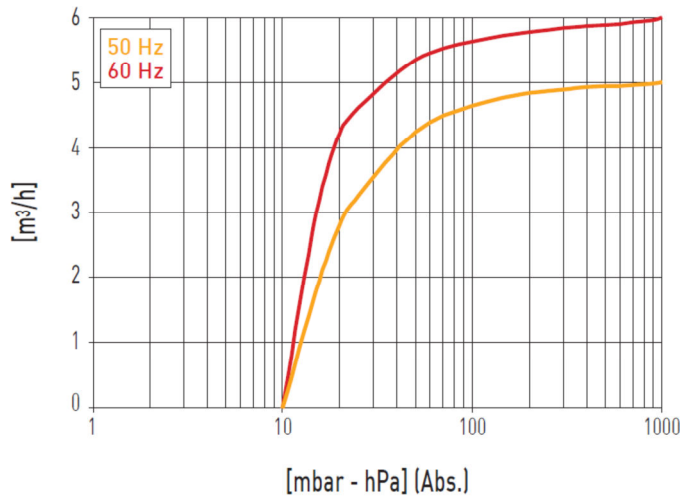
**MAIN APPLICATION FIELDS:**

Outgassing, a procedure for the removal of gases, is a very important stage in the creation of ceramics, and it's done with vacuum pumps, designed by our researchers and which can also be used in post-production and in the pick and place of products and materials.



Subject to change without prior notice

Main accessories	LB.5
Minor spare parts kit	K9601062
Major spare parts kit	K9601062/1
Purification filter protection kit	9017007
Shock mount	4 x 1503005
Inlet filter	9001004/0
Inlet hose fitting	2103007 (Ø12)
Vacuum gauge	9009009



NOTE: Graph shows inlet pressure at a temperature of 20°C (tolerance ±10%)

Subject to change without prior notice

		<b>LB.5</b>	
		50 Hz	60 Hz
Catalog code		9601062	
Nominal capacity	m <sup>3</sup> /h	5	6
Total final pressure (Abs)	mbar - hPa	10	
Maximum inlet pressure for water vapour	mbar - hPa	30	
Maximum water vapour pumping rate	kg/h	0,11	
Motor power	(1~/3~) kW	0,25 / 0,37	0,25 / 0,45
Nominal r.p.m	n/min	1400	1700
Noise (UNI EN ISO 2151 - K 3dB)	dB(A)	58	60
Weight	(1~/3~) kg [N]	13 [132,3] / 11,5 [112,7]	
Oil type	cod. DVP	BV68 (SW60)	
Oil capacity	dm <sup>3</sup>	0,20	
Pump intake /outlet		3/8" G / - - -	
Continuous-duty working range (Abs)	mbar - hPa	400 ÷ 10	
Operating temperature @ 20°C	°C	65 ÷ 70	70 ÷ 75
Required room temp. for place of installation	°C	12 ÷ 40	
Ambient temperature for storage/ transport	°C	-20 ÷ 50	
Max humidity/ altitude		80% / 1000m s.l.m. *	

(\*) Please contact us if environmental conditions are different from those prescribed.