

PRODUCT DESCRIPTION:

The LB.5WR range of pump is equipped with:

- Oil check valve
- Exhaust mist eliminator
- Protective filter at the inlet
- Gas Ballast continuously working

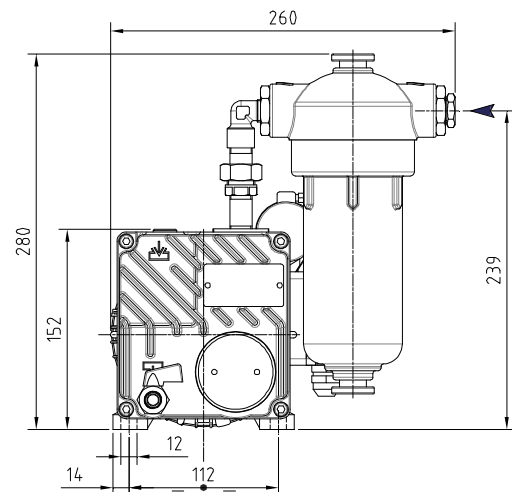
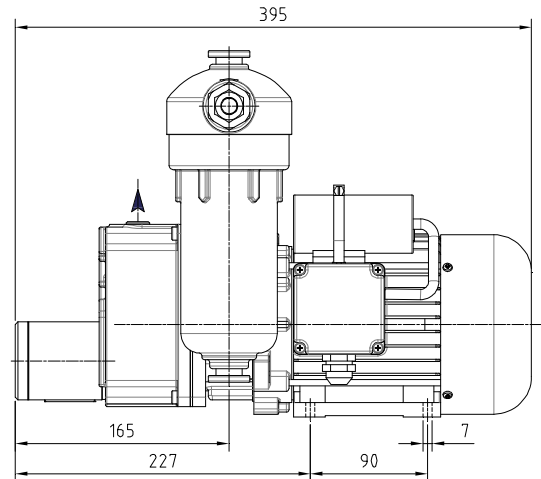
This series has the same features of the "L" series. It is equipped with a device which splits oil and water condensate, being the latter expelled when the pump is stopped.

Thanks to this kind of construction it is possible to work in applications rich in water steam where classic pumps cannot be used.

This series is suitable for continuous suction within a pressure range from 400 to 10 mbar (Abs).

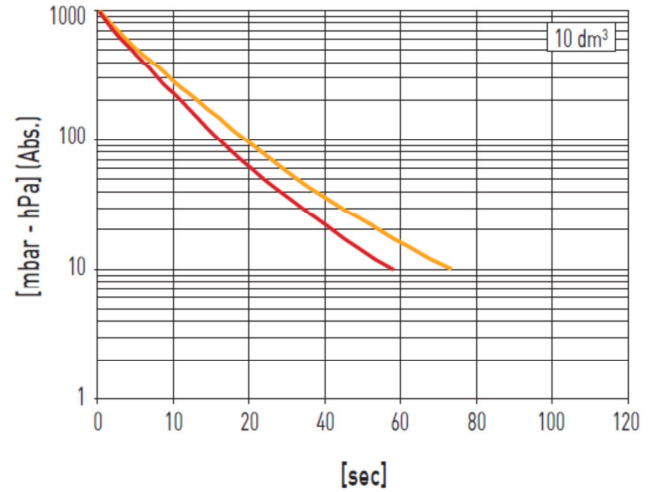
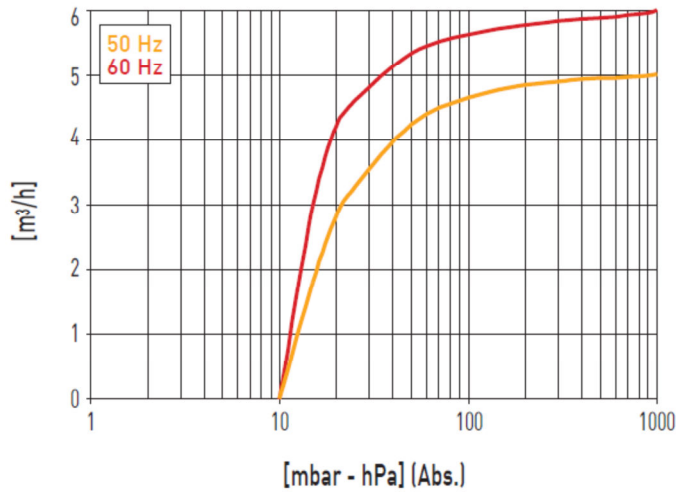
MAIN APPLICATION FIELDS:

Outgassing, a procedure for the removal of gases, is a very important stage in the creation of ceramics, and it's done with vacuum pumps, designed by our researchers and which can also be used in post-production and in the pick and place of products and materials.



Subject to change without prior notice

Main accessories	LB.5WR
Minor spare parts kit	K9690029
Major spare parts kit	K9690029/1
Purification filter protection kit	9017007
Antivibrants	4 x 1503005
Inlet filter	Di serie / Fitted
Stepped hose fitting	2103006 (Ø12)
Vacuum gauge	9009002



NOTE: Graph shows inlet pressure at a temperature of 20°C (tolerance ±10%)

Subject to change without prior notice

		LB.5 WR	
		50 Hz	60 Hz
Catalog code		9690029	
Nominal capacity	m ³ /h	5	6
Total final pressure (Abs)	mbar / hPa	10	
Max inlet pressure for water vapour	mbar - hPa	30	
Max water vapour pumping rate	Kg/h	0,11	
Motor power	(1~3~) KW	0,25 / 0,37	0,25 / 0,45
Nominal r.p.m	n/min	1400	1700
Noise level (UNI EN ISO 2151 - K 3dB)	dB(A)	58	60
Weight	(1~3~) kg [N]	14,5 [137,3] / 12,5 [122,6]	14,5 [137,3] / 12,5 [122,6]
Type of oil	cod. DVP	SW60 (BV68)	
Oil quantity	dm ³	0,25	
Pump intake / outlet		1/4"G	
Continuous-duty working range (Abs)	mbar-hPa	400÷10	
Operating temperature @ 20°C	°C	65÷70	70÷75
Required room temp. for place of installation	°C	12÷40	
Ambient temperature for storage/transport	°C	-20÷50	
Max humidity / altitude		80% / 1000m s.l.m. *	

(*) Please contact us if environmental conditions are different from those prescribed.