

**PRODUCT DESCRIPTION:**

The LC.25WR pump is equipped with:

- Oil check valve
- Exhaust mist eliminator
- Automatic floating oil recovery valve
- Gas ballast continuously working
- Oil level switch
- Shock mounts
- Thermal protector (1~ only)

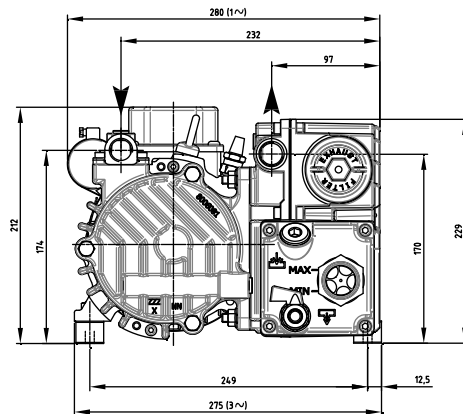
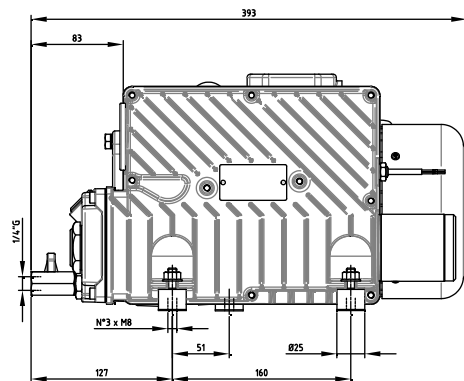
These series have the same features as the "L" series, a device which separates oil and water condensate, the water being expelled when the pump is stopped.

As a result of this construction it is possible to use this pump in applications where very high concentrations of water vapour might be present, and where standard pumps could not be used.

This series is suitable for continuous suction within a pressure range from 400 to 4 mbar (Abs).

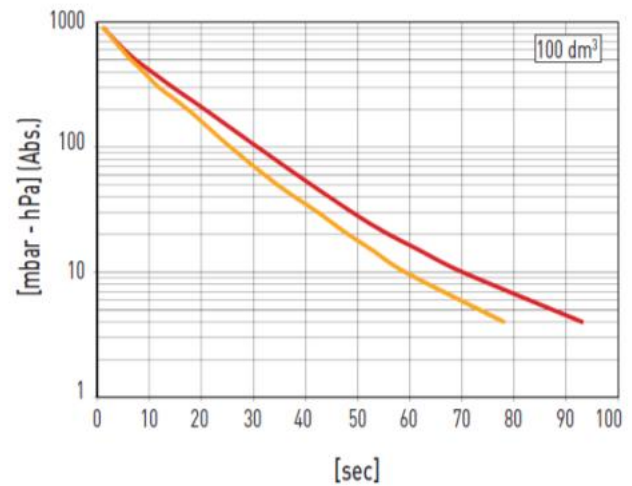
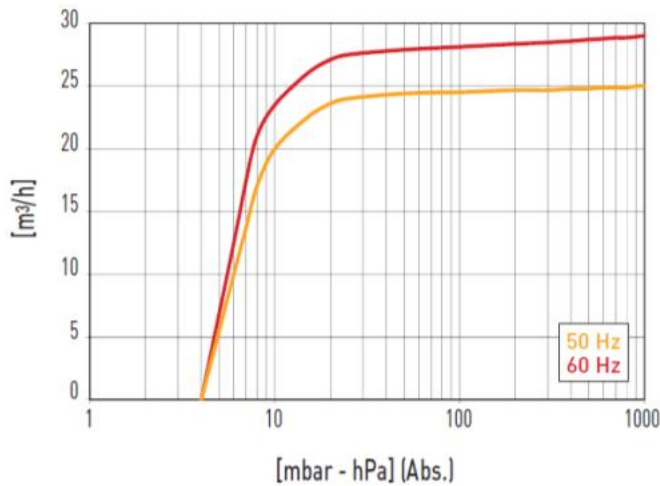
**MAIN APPLICATION FIELD:**

Vacuum packing machines; precious metal vacuum casting machines; dental field; graphic and paper industry; CNC marble and glass machines; vacuum lifting machines; garage equipment.



Subject to change without prior notice

Main accessories	LC.25WR
Minor spare parts kit	K9690035
Major spare parts kit	K9690035/1
Shock mounts	Di serie / Fitted
Inlet filter	9001028
Stepped hose fitting	2103010 (Ø17)
Vacuum gauge	9009009
Clogged filter switch	9014003 + 2101001



NOTE: Graph shows inlet pressure at a temperature of 20°C (tolerance ±10%)

Subject to change without prior notice

		LC.25WR	
		50Hz	60Hz
Catalogue code		9690035	
Nominal capacity	m <sup>3</sup> /h	25	29
Total final pressure (Abs)	mbar - hPa	4	
Max inlet pressure for water vapour	mbar - hPa	60	
Max water vapour pumping rate	kg/h	1,1	
Motor power	(1~/3~) kW	0,75	0,90
Nominal r.p.m.	n/min	1400	1700
Noise level (UNI EN ISO 2151 - K 3dB)	dB(A)	57	59
Weight	(1~/3~) kg [N]	26,5 [260] / 25,5 [250]	
Type of oil	cod. DVP	SW60 (BV68)	
Oil quantity	min ÷ max dm <sup>3</sup>	0,8 ÷ 1,1	
Pump intake / outlet		1/2" G / 1/2" G	
Continuous-duty working range (Abs)	mbar - hPa	400 ÷ 4	
Operating temperature @ 20°C	°C	80 ÷ 85	85 ÷ 90
Required room temp. for place of installation	°C	12 ÷ 40	
Ambient temperature for storage/transport	°C	-20 ÷ 50	
Max humidity / altitude		80% / 1000m s.l.m. *	

(\*) Please contact us if environmental conditions are different from those prescribed.