

PRODUCT DESCRIPTION:

The LC.40WR and LC.60WR pumps are equipped with:

- Oil check valve
- Exhaust mist eliminator
- Automatic floating oil recovery valve
- Gas ballast continuously working
- Shock mounts
- Oil level switch

It is suitable for continuous operation within a pressure range of 400mbar to 4 mbar (Abs).

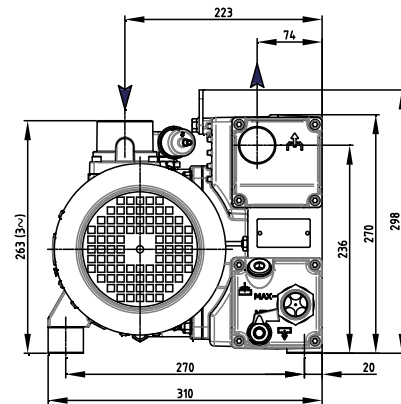
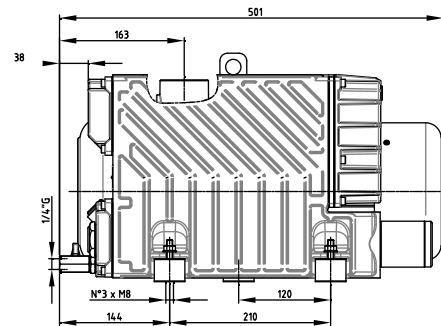
The fixing points and exhaust filter are the same as those of the previous model.

Only hazardous parts have been housed in order to improve both the cooling and the appearance of the pump.

Shock mounts have been fitted but the height of the complete assembly is the same as that of the previous model which was without them.

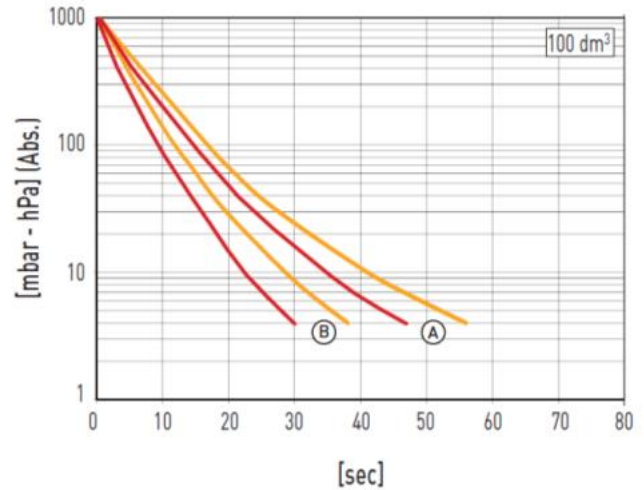
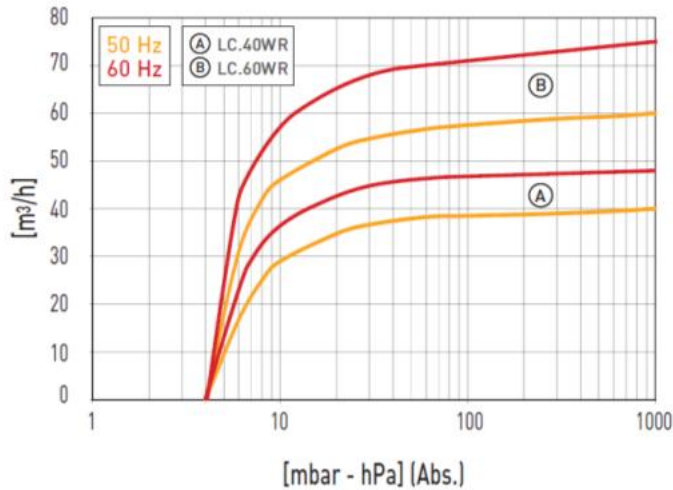
MAIN APPLICATION FIELD:

Vacuum packaging machines; bag filling machines; dental field; printing and paper industry; CNC marble and glass machines; vacuum lifting machines; workshop equipment.



Subject to change without prior notice

Main accessories	LC.40WR	LC.60WR
Minor spare parts kit	K9690036	K9690037
Major spare parts kit	K9690036/1	K9690037/1
Shock mounts	Di serie / Fitted	
Inlet filter	9001034	
Stepped hose fitting	2103015 (Ø40)	
Vacuum gauge	9009003	
Clogged filter gauge	9014003 + 2101001 + 2001012	
Clogged filtre switch	9019001	



NOTE: Graph shows inlet pressure at a temperature of 20°C (tolerance ±10%)

		LC.40WR		LC.60WR	
		50Hz	60Hz	50Hz	60Hz
Catalogue code		9690036		9690037	
Nominal capacity	m ³ /h	40	48	60	72
Total final pressure (Abs)	mbar - hPa	4			
Max inlet pressure for water vapour	mbar - hPa	40		50	
Max water vapour pumping rate	kg/h	1,3		2,4	
Motor power	(3~) kW	1,1	1,35	1,5	1,8
iNominal r.p.m.	n/min	1400	1700	1400	1700
Noise level (UNI EN ISO 2151 - K 3dB)	dB(A)	64	66	66	68
Weight	(3~) kg [N]	42 [378]		44 [396]	
Type of oil	cod. DVP	SW60 (BV68)			
Oil quantity	min ÷ max dm ³	1,1 ÷ 1,7			
Pump intake / outlet		1-1/2"G / 1-1/4"G			
Continuous-duty working range (Abs)	mbar - hPa	400 ÷ 4			
Operating temperature @ 20°C	°C	75 ÷ 80	80 ÷ 85	80 ÷ 85	85 ÷ 90
Required room temp. for place of installation	°C	12 ÷ 40			
Ambient temperature for storage/transport	°C	-20 ÷ 50			
Max humidity / altitude		80% / 1000m s.l.m. *			

(*) Please contact us if environmental conditions are different from those prescribed.

Subject to change without prior notice