

PRODUCT DESCRIPTION:

The RD.2D pump is equipped with:

- Thermal protector (1~ only)
- Handle for transport
- On/off switch (1~ only)
- Cable with schuko plug (1~only)
- Oil check valve
- Shock mounts

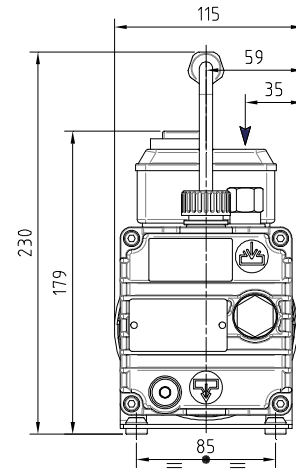
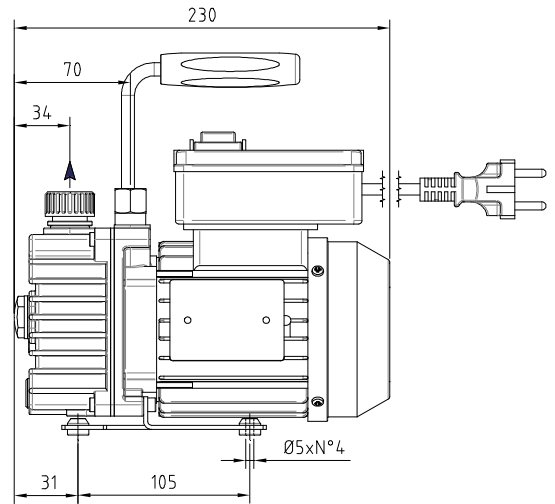
The models were specifically designed for refrigeration and conditioning applications.

The double stage and the single stage constructions provide optimal final pressure.

Thanks to the monoblock design and the use of light alloys, this series of pumps has very limited overall dimension and weight, which makes they are ideal for application in small spaces but in which ventilation is proper or on mobile equipment.

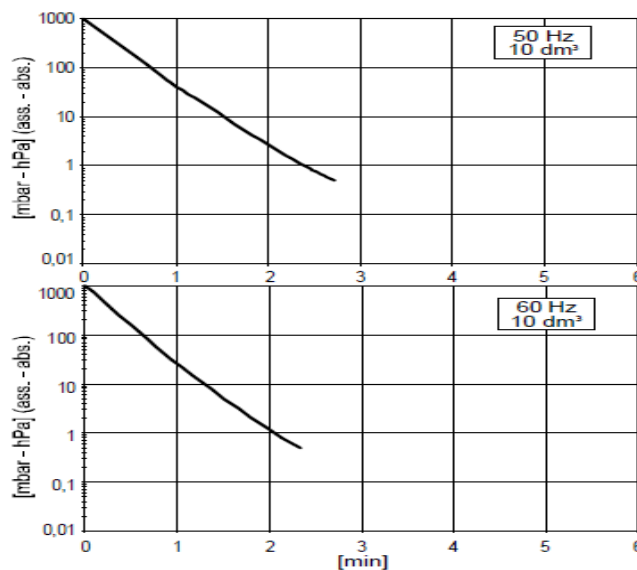
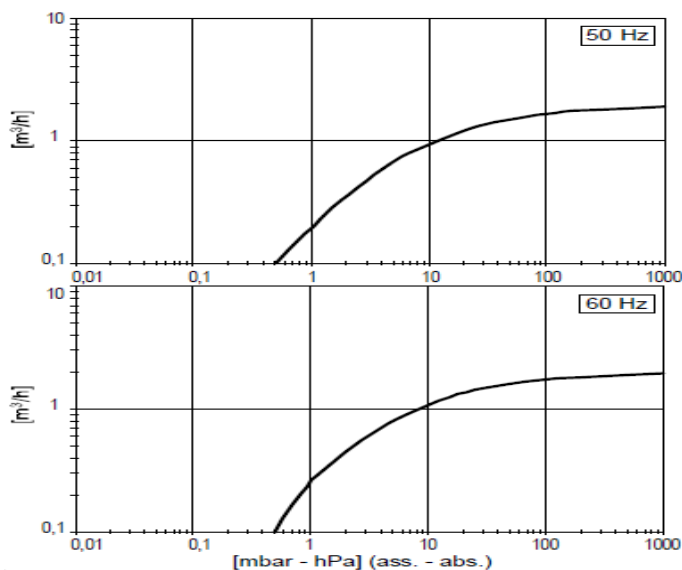
MAIN APPLICATION FIELDS:

In the refrigeration and air-conditioning field, DVP vacuum pumps play a major role. They are used both in the residential and automotive sectors to aspirate air and eventual moisture to guarantee proper functioning of the air-conditioning.



Subject to change without prior notice

Main accessories	RD.2D
Spare parts kit	K960207
Shock mounts	Fitted
Inlet filter	9001004
Inlet stepped hose fitting	2103006 (Ø12)
Hose fitting 7/16" (1/4" SAE)	2203001
Outlet stepped hose fitting	2103008 (Ø12)
Exhaust mist eliminator	9001039



NOTE: Graph shows inlet pressure at a temperature of 20°C (tolerance ±10%)

Subject to change without prior notice

		RD.2D	
		50Hz	60Hz
Catalogue code		9602027	
Number of stages		2	
Nominal capacity	m ³ /h	2	2,2
Pneurop capacity	m ³ /h	1,8	2
Total final pressure (Abs)	mbar - hPa	≤ 0,5	
Partial final pressure (Abs) (McLeod)	mbar - [micron]	0,1 [74]	
Final pressure with gas ballast (Abs)	mbar - hPa	---	
Max inlet pressure for water vapour	mbar - hPa	---	
Max water vapour pumping rate	kg/h	---	
Motor power	(1~) KW	0,12	0,15
Nominal r.p.m	n/min	2800	3300
Noise level (UNI EN ISO2151 - K 3dB)	dB (A)	52	54
Weight	(1~) kg [N]	5 [49]	
Oil type		SW40	
Oil quantity	dm ³	0,15	
Pump intake / outlet		1/4"G / 1/2"G	
Operating temperature @ 20°C	°C	45 ÷ 50	50 ÷ 55
Required room temp. for place of installation	°C	12 ÷ 40	
Ambient temperature for storage / transport	°C	-20 ÷ 50	
Max humidity / altitude		80% / 1000m s.l.m. *	

(*) Please contact us if environmental conditions are different from those prescribed.