

PRODUCT DESCRIPTION:

The SB.10 and SB.10TV pumps are equipped with:

- Protective filter at the inlet
- Silencer at the outlet (only SB.10)

Limited weight and dimension are possible by the monoblock industrial design type with the rotor directly assembled on the motor shaft. Mainly built with light-weight alloy, they can be fitted in places where little room is available, but in which ventilation is good.

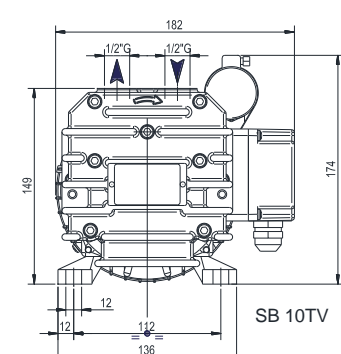
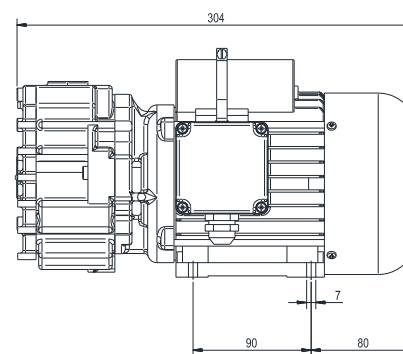
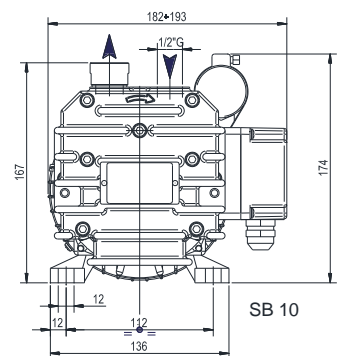
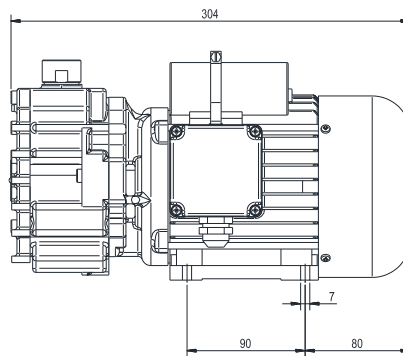
The cooling of the pump is ensured by the motor fan. The SB.10 pump can work as compressor up to a pressure 0,6 bar. We recommend fitting a pressure relief valve set at the proper pressure, to avoid damages to the electric motor or to the pump.

The SB.10TV join such features as running with no lubrication as reduces overall dimensions and low weight, which are typical of dry pumps with a special design that ensure perfect airtightness thanks to special gaskets. This pump can be used in plant with sealed circuit thanks its proper configuration.

MAIN APPLICATION FIELDS:

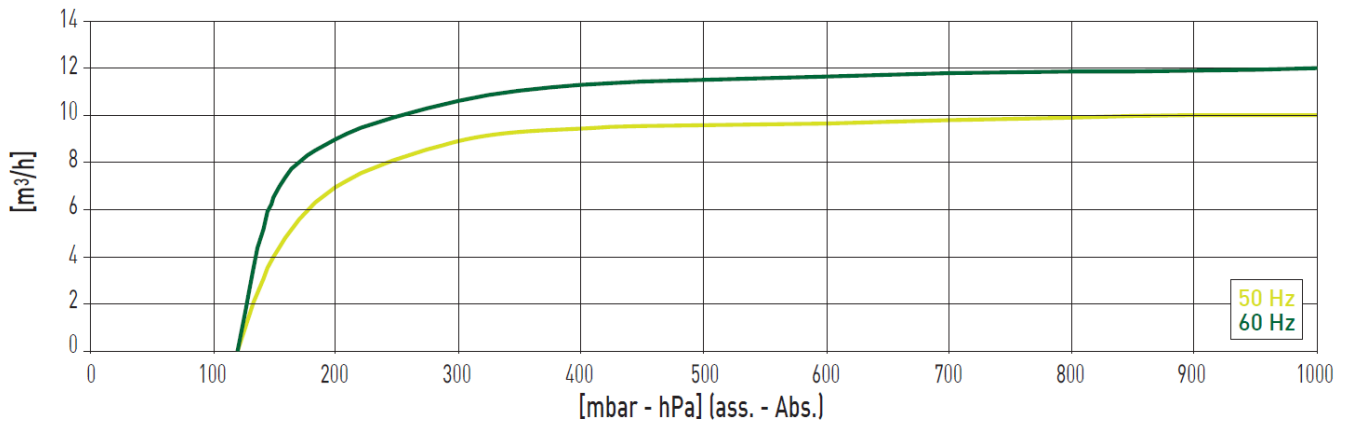
SB.10 → Vacuum technology is also essential in non-food packaging. Air cushion machines, blister machines, filling and sealing machines tub sealing and production of paper bags are only few of the applications where it's easy to find a DVP vacuum pump.

SB.10TV → The food sector and bottling are some of the fields where vacuum technology is principally used. We can always find a vacuum pump in the most common applications like food processing or ovens.



Subject to change without prior notice

Main accessories	SB.10	SB.10TV
Spare parts kit	K9801028	K9901020
Shock mounts	4 x 1503005	
Inlet hose fitting	2103010 (Ø17)	
Inlet additional filter	9001010	
Non-return valve	9007005	
Vacuum regulating valve	9004012	
Vacuum gauge	9009009	



NOTE: Graph shows inlet pressure at a temperature of 20°C (tolerance ±10%)

Subject to change without prior notice

		SB.10		SB.10TV	
		50Hz	60Hz	50Hz	60Hz
Catalog code		9801028		9901020	
Nominal capacity	m³/h	10	12	10	12
Total final pressure (Abs)	mbar - hPa	120			
Motor power	(1~/3~) KW	0,37 / 0,37	0,45 / 0,45	0,37 / 0,37	0,45 / 0,45
Nominal r.p.m.	n/min	1400	1700	1400	1700
Noise level (UNI EN ISO 2151 - K 3dB)	dB(A)	64	66	64	66
Weight	(1~/3~) kg [N]	15,5 [152] / 14 [137]			
Pump intake / outlet		1/2" G / - - -		1/2" G / 1/2" G	
Operating temperature @ 20°C	°C	70 ÷ 75	80 ÷ 85	70 ÷ 75	80 ÷ 85
Required room temp. for place of installation	°C	0 ÷ 40			
Ambient temperature for storage / transport	°C	-20 ÷ 50			
Max humidity / altitude		80% / 1000m s.l.m. *			

(*) Per condizioni ambientali differenti da quelle prescritte contattare il Costruttore.

(*) Please contact the Manufacturer if environmental conditions are different from those prescribed.