



**PRODUCT DESCRIPTION:**

The SC 60 and SC 80 pumps are equipped with:

- Protective filter at the inlet;
- Silencer at the outlet;

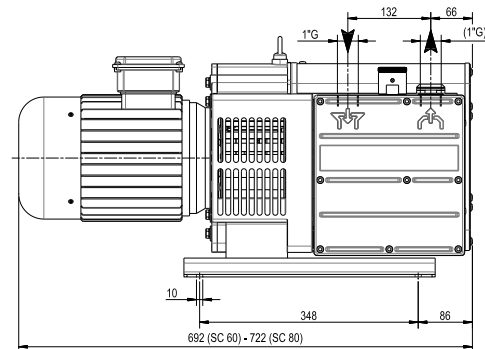
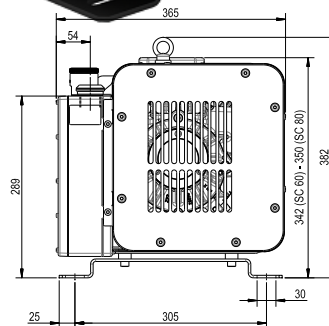
A powerful fan installed between the pump housing and the motor ensures optimal cooling and a sturdy and compact housing protection keeps the noise level extremely low. The highly durable graphite vanes and the low internal operating temperature guarantee resistant and long-lasting vanes. Maintenance has never been so easy thanks to the removable front grid, which allows direct access to the vanes, for quick replacement without disassembling the complete conveyer carter. With the optimization of the suction and discharge phases, energy efficiency is increased: from atmospheric pressure to absolute final pressure, energy consumption does not change.

**MAIN APPLICATION FIELDS:**

Pneumatic conveying field using aspiration; packaging.

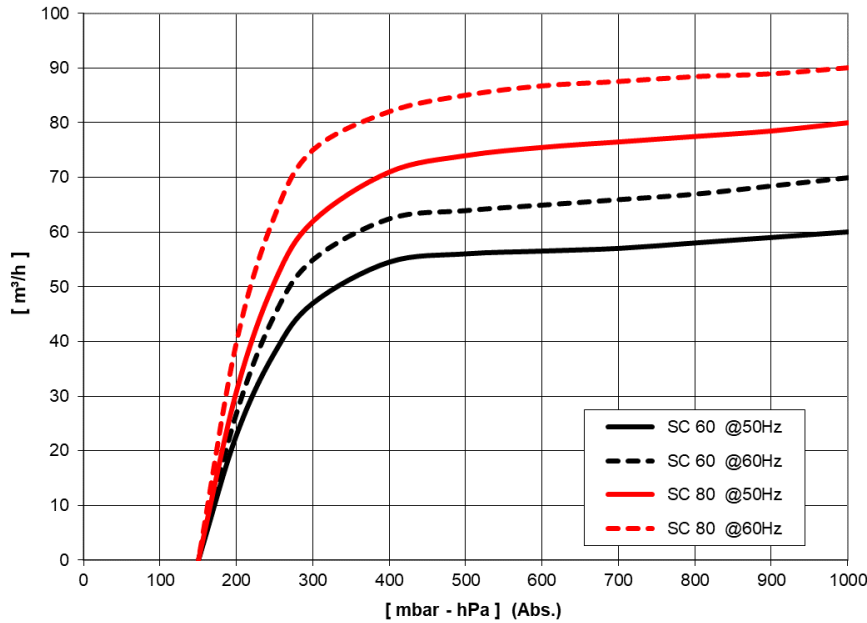
**NOTE:**

Pump also available without motor.



Subject to change without prior notice

Main accessories	SC 60	SC 80
Spare parts kit	K9815021	K9815022
Shock mounts	4 x 1503001	
Inlet additional filter	9001017	
Inlet hose fitting	2103012 (Ø25)	
Vacuum regulating valve	Di serie / as standard	
Non – return valve	9007103	
Vacuum guage	9009003	



NOTE: Graph shows inlet pressure at a temperature of 20°C (tolerance ±10%)

Subject to change without prior notice

		SC 60		SC 80	
		50Hz	60Hz	50Hz	60Hz
Catalog code		9815021		9815022	
Nominal capacity	m³/h	60	70	80	90
Total final pressure (Abs)	mbar - hPa	150		150	
Motor power	(3~) kW	1,5 *	1,8 *	2,2 *	3,0 *
Nominal r.p.m.	n/min	1400	1700	1400	1700
Noise level (UNI EN ISO 2151 - K 3dB)	dB(A)	70	72	72	74
Weight	(3~) kg [N]	66 [647,4]		71 [696,5]	
Pump intake / outlet		1"G / ---			
Operating temperature @ 20°C	°C	70 ÷ 75	70 ÷ 75	75 ÷ 80	75 ÷ 80
Required room temp. for place of installation	°C	0 ÷ 40			
Ambient temperature for storage / transport	°C	-20 ÷ 50			
Max humidity / altitude		80% / 1000m s.l.m. **			

(\*) IE3 class efficiency motor.

(\*\*) Please contact us if environmental conditions are different from those prescribed.