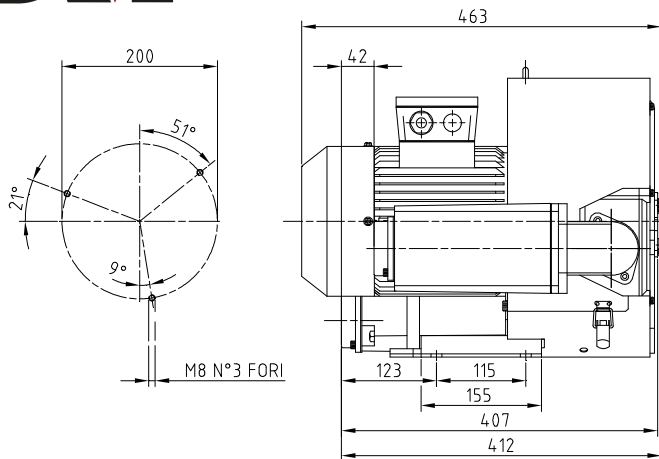
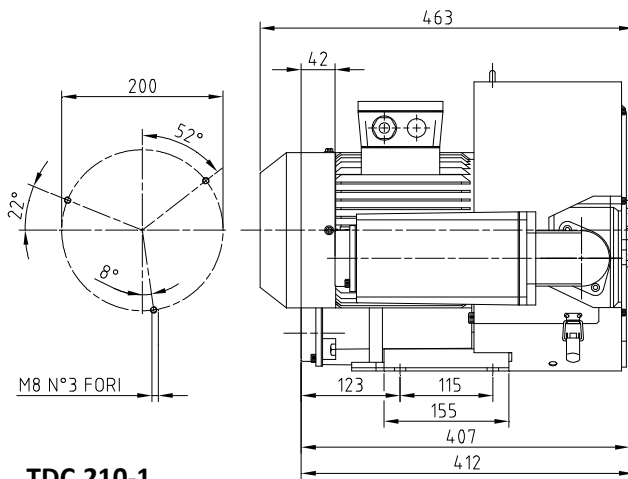


TDC.210 / 210-1

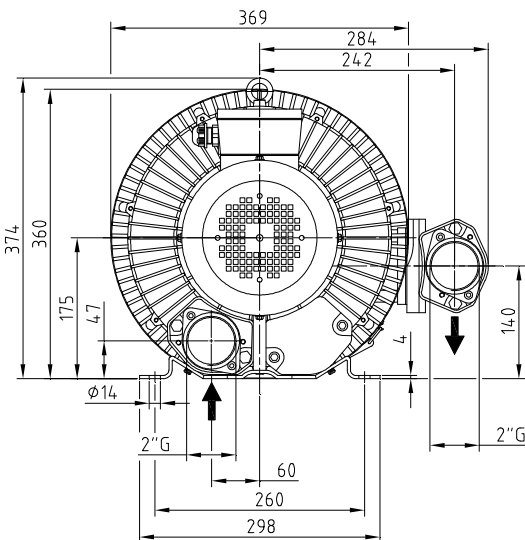
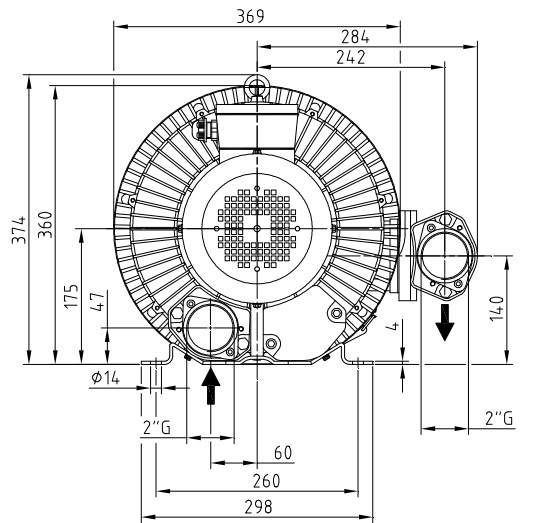
DATA SHEET



TDC.210



TDC.210-1

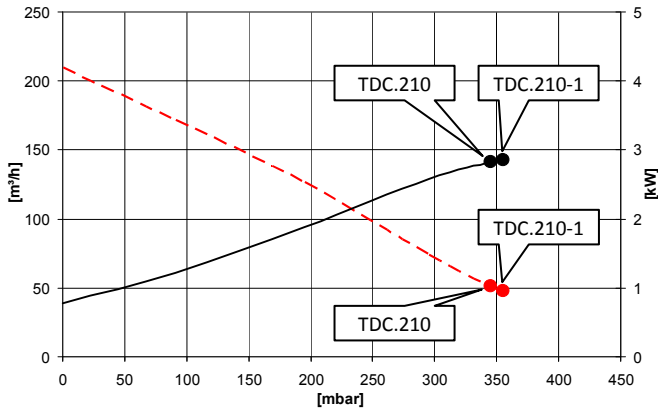


Subject to change without prior notice

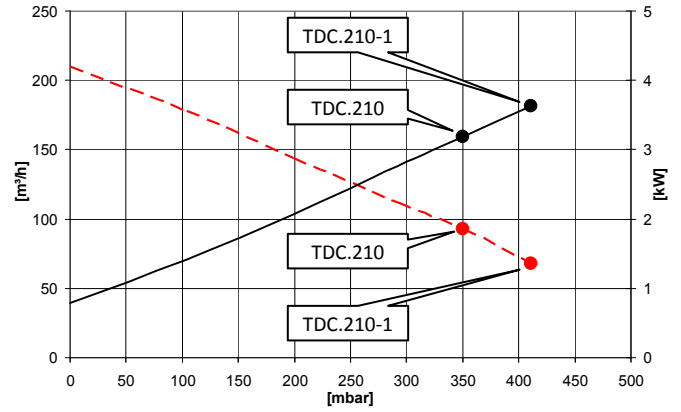
Model		TDC.210	TDC.210-1
Code		9403033	9403034
Motor Power	kW (50Hz)	3,0	4,0
	kW (60Hz)	3,6	4,8
Power supply	V±5% Δ/Y (50Hz)	220-255 / 380-440	
	V±5% Δ/Y (60Hz)	255-277 / 440-480	
Absorbtion	A Δ/Y (50Hz)	12,5 / 7,2	14,3 / 8,2
	A Δ/Y (60Hz)	13,5 / 7,8	16,2 / 9,3
Flow rate	m³/h (50Hz)	210	210
	m³/h (60Hz)	250	250
Vacuum	mbar (50Hz)	-345	-355
	mbar (60Hz)	-400	-410
Pressure	mbar (50Hz)	+350	+410
	mbar (60Hz)	+350	+500
Noise level (UNI EN ISO 2151) (K 3dB)	dB(A) (50Hz)	74	74
	dB(A) (60Hz)	77	77
Weight	kg [N]	43,6 [427,7]	45,2 [443,4]

Subject to change without prior notice

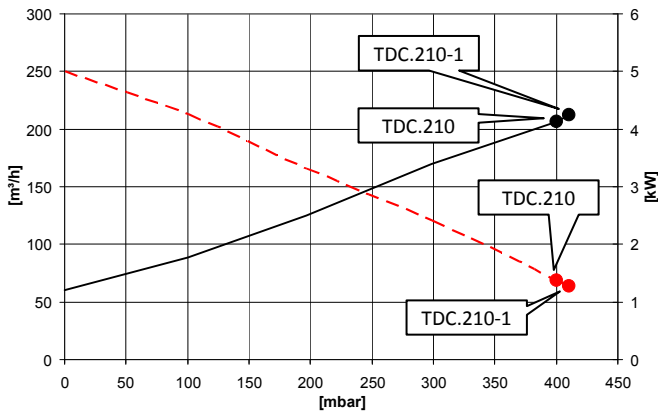
Vacuum @ 50Hz – 400V



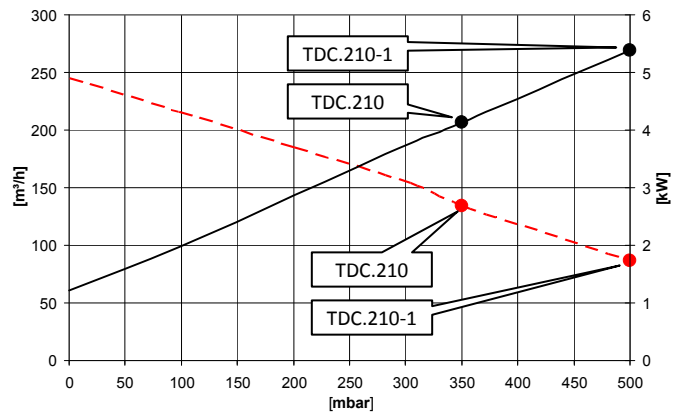
Pressure @ 50Hz – 400V



Vacuum @ 60Hz – 460V



Pressure @ 60Hz – 460V

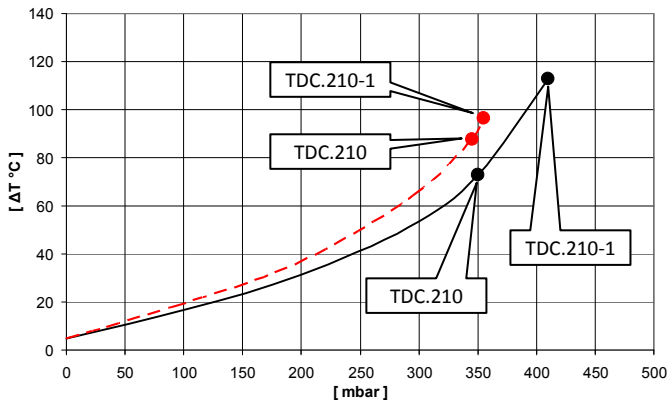


- Flow rate

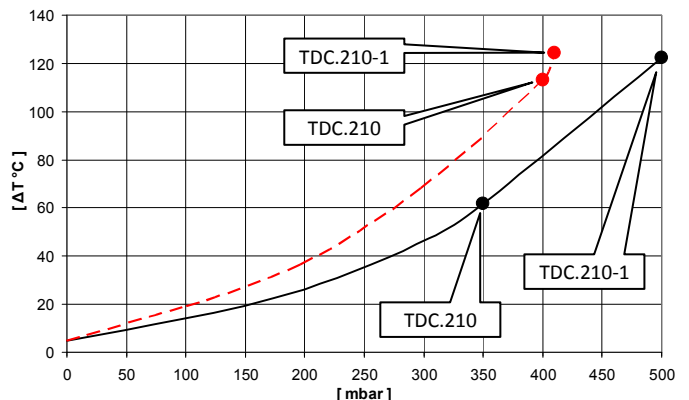
— Absorbed Power

Curves refer to 1013mbar (Abs.) pressure and 20°C temperature (tolerance ±10%)

50Hz – 400V



60Hz – 460V



Suction

— Compression

Room temperature 20°C (tolerance on temperature $\Delta T \pm 5^\circ C$)