

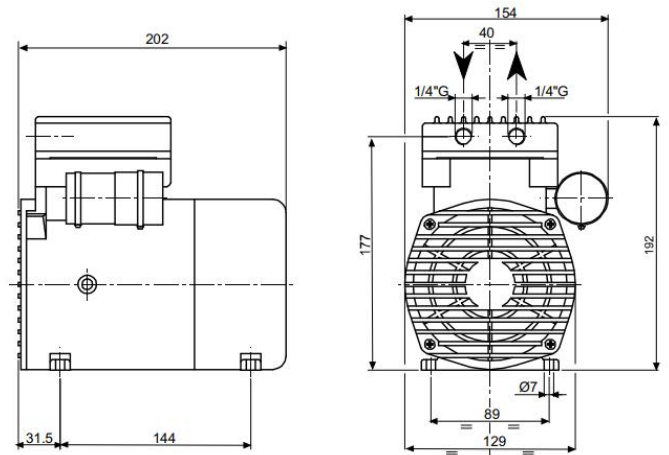
Subject to change without prior notice

PRODUCT DESCRIPTION:

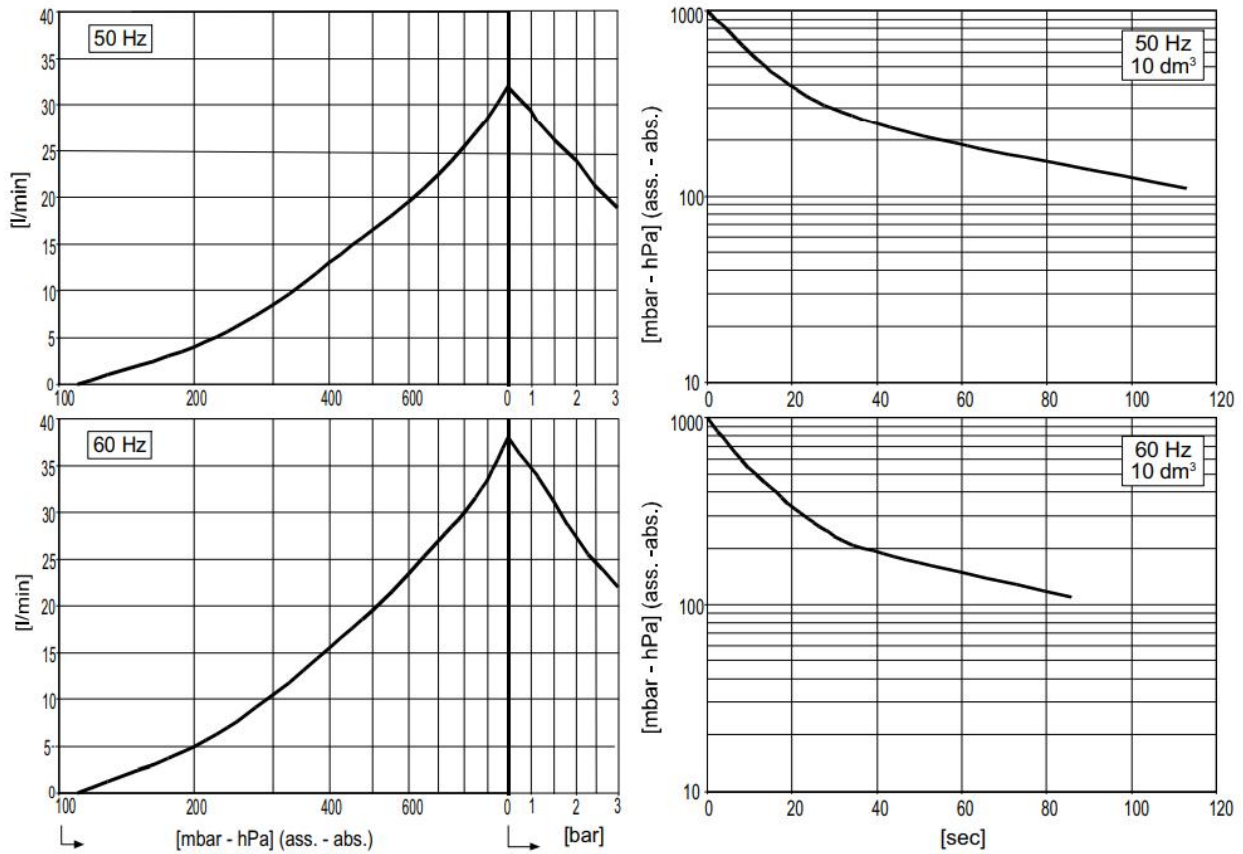
The ZA 32 pump is equipped with:

- Thermal protector (130°C);
- Power cord (con spina CEE22);
- Shock mounts (cod. 1505001);
- Silencer (cod. 9002009).

ZA rocking piston pumps combines the best characteristics of traditional piston pumps and diaphragm pumps into small units with excellent features. This series is ideal for use in applications where oil-mist is undesirable. Moreover, the oil-free design makes the maintenance intervals very long. Should the system require under vacuum or under pressure starts it is necessary to install a three ways solenoid valve. This pump can work as compressor up to a maximum pressure of 3 bar. At the end, it is available the mobile version of this unit supplied with protection cabinet, handle and filter.



Main accessories	ZA 32
Spare part kit	K9210003
Hose fitting	2103004 (Ø9)
Inlet filter	9001003
Inlet filter for compressor use	1803007
Condensate separator filter	9001013
Vacuum regulating valve	9004012
Vacuum gauge	9009009
Pressure relief valve	9012014
Shock mount "cup" type	4 x 1502003



NOTE: Curves refers to 1013mbar (abs.) pression and 20°C temp. (tolerance ±10%)

Subject to change without prior notice

		ZA 32	
		50Hz	60Hz
Catalog code		9210003	
Nominal capacity	l/min	32	38
Total final pressure (Abs)	mbar - hPa	110	
Maximum overpressure	bar - 10 ⁵ Pa	3	
Motor power	(1~) kW	0,20	
Nominal r.p.m	n/min	1400	1700
Noise level (UNI EN ISO 2151 – K 3dB)	dB(A)	50	52
Weight	(1~) kg [N]	7,1 [69,6]	
Duty type		S1	
Operating temperature @ 20°C	°C	40 ÷ 45	
Required room temp. for place of installation	°C	0 ÷ 40	
Ambient temperature for storage / transport	°C	-20 ÷ 50	
Max humidity / altitude		80% / 1000m s.l.m. *	

(*) Please contact us if environmental conditions are different from those prescribed.