



**PRODUCT DESCRIPTION:**

The LC.205HV and LC.305HV pumps are equipped with:

- Oil check valve
- Exhaust mist eliminator
- Automatic floating oil recovery valve
- Gas ballast with manual cut-off valve
- Shock mounts
- Oil filter with by-pass
- Flexible transmission coupling;

The low noise level and the low operating temperature are the main features of this series.

The damping and recovery system, equipped with a by-pass, together with the new float type oil recovery valve, ensures the absence of oil vapours at the outlet. Moreover, a check-valve prevents the oil from being sucked back should the pump stops under vacuum.

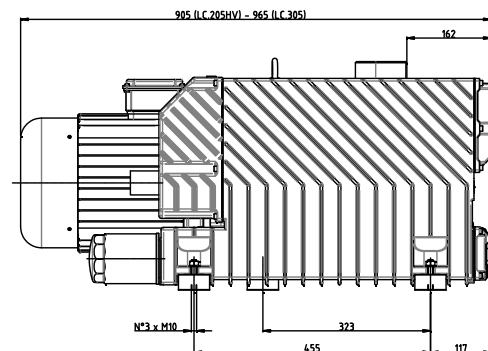
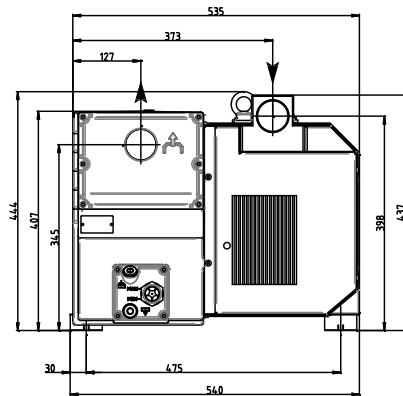
The cooling system is ensured by an oil heat exchanger that is located on the front cover of the pump, easing the cleaning of the same. The Gas ballast system is equipped with a manual cut-off valve. The motor-pump connection is via a flexible drive coupling. The standard version is suitable for continuous operation within a pressure range from 400 to 0,1 mbar (Abs.).

**MAIN APPLICATION FIELDS:**

Vacuum technology is essential in food packaging: in filling and sealing machines, in food packing and food processing, and in the production of PET containers. Vacuum technology is also essential in non-food packaging.

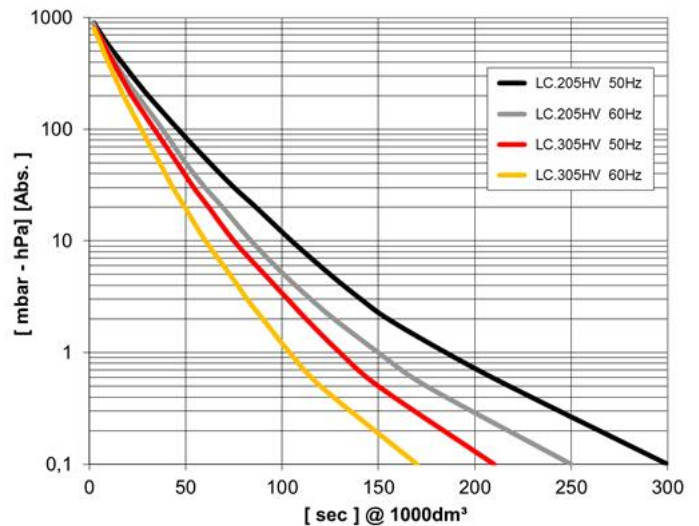
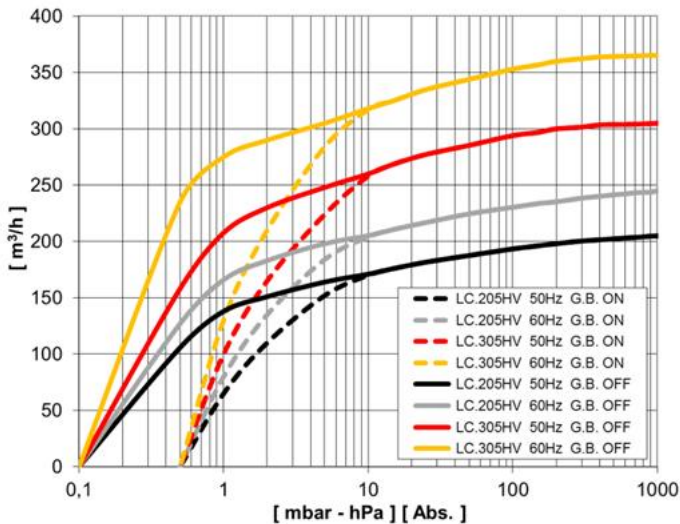
**NOTE:**

Pump also available without motor.



Subject to change without prior notice

Main accessories	LC.205HV	LC.305HV
Minor spare parts kit	K9603030	K9603031
Major spare parts kit	K9603030/1	K9603031/1
Shock mounts	Di serie / Fitted	
Inlet filter	9001019	
Stepped hose fitting	2103016 (Ø40)	
Oil level switch	9013002 (N.O.) – 9013003 (N.C.)	
Vacuum gauge	9009003	
Clogged filter gauge	9014003 + 2001012	
Clogged filter switch	9019001	



NOTE: Graph shows inlet pressure at a temperature of 20°C (tolerance ±10%)

		LC.205HV		LC.305HV	
		50 Hz	60 Hz	50 Hz	60 Hz
Catalogue code		9603030		9603031	
Nominal capacity	m³/h	205	245	305	365
Total final pressure (Abs) with gas ballast closed	mbar - hPa	0,1			
Max inlet pressure for water vapour	mbar - hPa	10 *		12 *	
Max water vapour pumping rate	kg/h	2,1 *		3,5 *	
Motor power	(3~) kW	5,5 **	6,6 **	7,5 ***	---
Nominal r.p.m.	n/min	1400	1700	1400	---
Noise level (UNI EN ISO 2151 - K3dB)	dB(A)	71	73	73	---
Weight	(3~) kg [N]	170 [1667,7]		180 [1765,8]	
Type of oil	cod. DVP	SW100			
Oil quantity	min ÷ max dm³	4,0 ÷ 5,0			
Pump intake / outlet		2" G / 2" G			
Continuous-duty working range (Abs)	mbar - hPa	400 ÷ 0,1			
Operating temperature @ 20°C	°C	70 ÷ 75	75 ÷ 80	75 ÷ 80	---
Required room temp. for place of installation	°C	12 ÷ 40			
Ambient temperature for storage/transport	°C	-20 ÷ 50			
Max humidity / altitude		80% / 1000m s.l.m. ****			

(\*) With gas ballast open. (\*\*) IE2 class efficiency motor. (\*\*\*) IE3 class efficiency motor.  
 (\*\*\*\*) Please contact us if environmental conditions are different from those prescribed.

Subject to change without prior notice