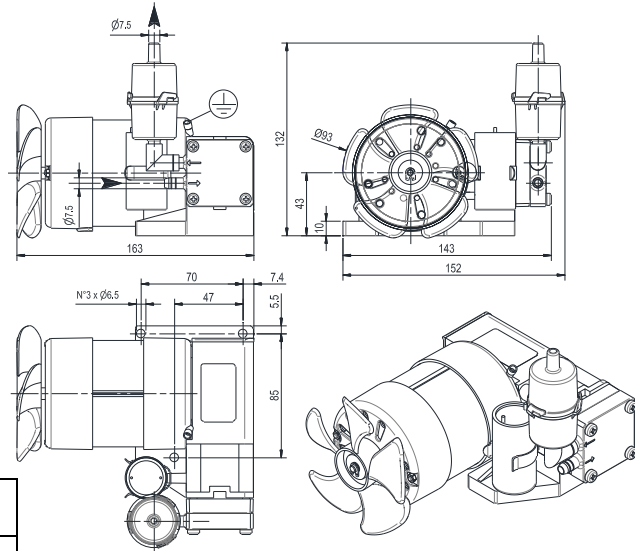


ZB 30 – ZB 30CC

DATA SHEET

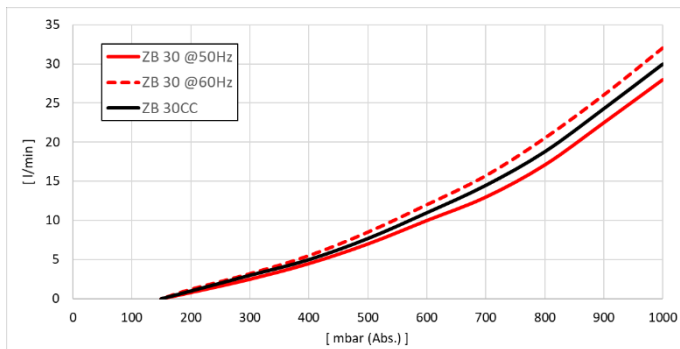
ZB 30



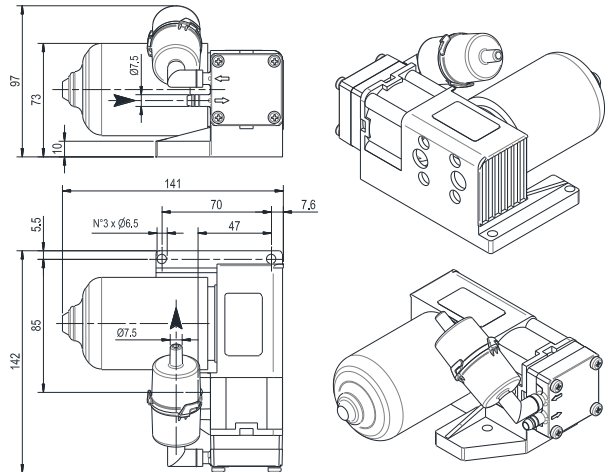
Main accessories	ZB 30 ZB 30CC
Disposable inlet filter	1803003
Non-return valve	9007021

STANDARD equipment
Silencer
Thermal protector (120°C – only for ZB 30)

ZB 30CC



NOTE: Curves refers to 1013mbar (abs.) pression and 20°C temp. (tolerance ±10%).



Subject to change without prior notice

		ZB 30		ZB 30CC
		50Hz	60Hz	c.c. / d.c.
Catalog code		9210042		9210043
Nominal capacity	l/min	28	32	30
Total final pressure (Abs)	mbar - hPa	150		
Maximum over pressure	Bar – 10 ⁵ Pa	////		0,2
Power supply	V	230±10%		12
Motor power*	W	80	90	75
Current drawn	A	0,4		6
Noise level (UNI EN ISO 2151 – K 3dB)	dB(A)	56	61	60
Duty type		S1		
Weight	kg [N]	1,9 [18,64]		1 [9,81]
Required room temp. for place of installation	°C	0 ÷ 40		
Ambient temperature for storage/transport	°C	-20 ÷ 50		
Max humidity / altitude		80% / 1000m s.l.m. **		

(*) Required power

(**) Please contact the Manufacturer if environmental conditions are different from those prescribed