



Subject to change without prior notice

### PRODUCT DESCRIPTION:

LC.12 pumps are equipped with:

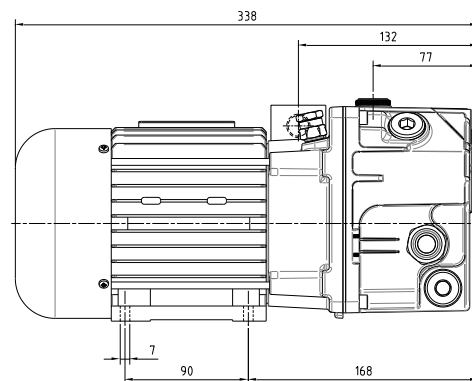
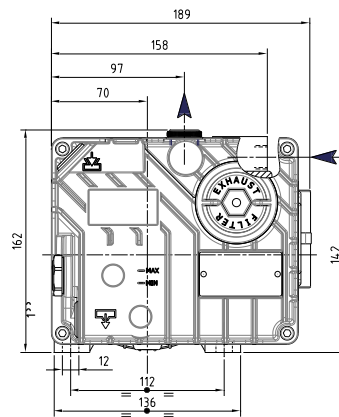
- Oil check valve
- Exhaust mist eliminator
- Floating oil recovery valve
- Gas ballast continuously working
- Thermal protector (1~ only)

The limited dimensions and the low final pressure (Abs) attainable are the main features of this series. An effective damping and recovery system in-built in the tank prevents any oil vapors at the exhaust. Moreover, a special sealing device prevents suck-back, should pump be stopped under vacuum. The intake can also be adjusted by the user, thanks to a special fitting.

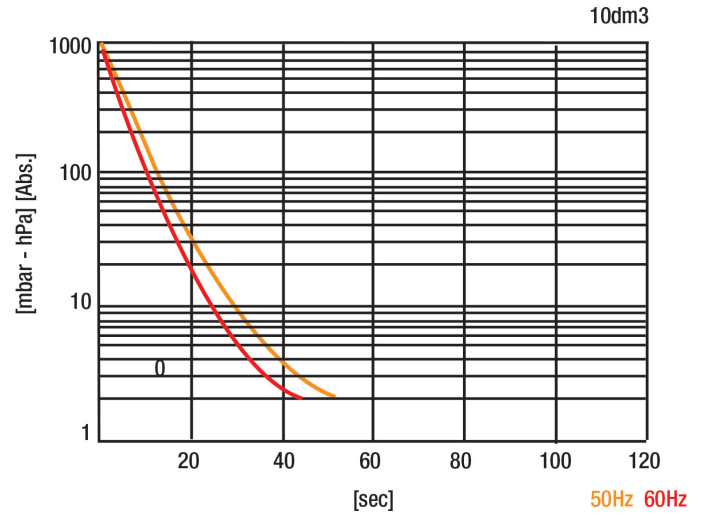
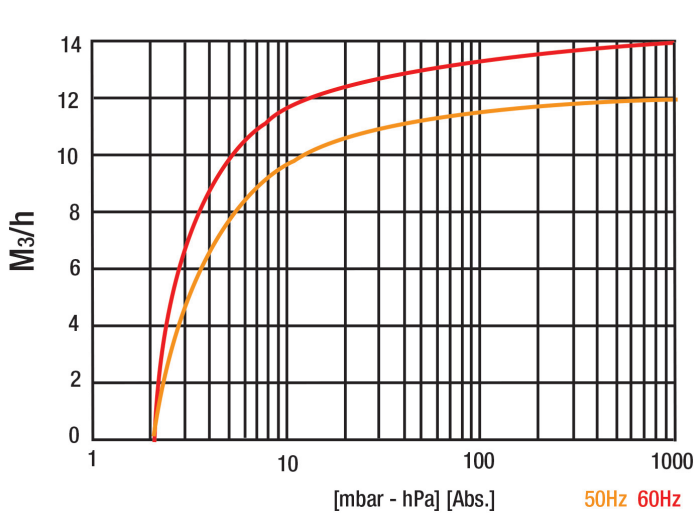
This series is suitable for evacuation of small closed vessels and for a continuous operation within a pressure range from 400 to 2 mbar (Abs).

### MAIN APPLICATION FIELDS:

Vacuum technology is essential in food packaging: in filling and sealing machines, in food packing and food processing, and in the production of PET containers.



Main accessories	LC.12
Minor spare parts kit	K9601064
Major spare parts kit	K9601064/1
Shock mount	4 x 1503005
Inlet filter	9001010
Stepped hose fitting	2103010 (Ø12)
Vacuum gauge	9009009



NOTE: Graph shows inlet pressure at a temperature of 20°C (tolerance ±10%)

Subject to change without prior notice

		<b>LC.12</b>	
		50Hz	60Hz
Catalogue code		9601064	
Nominal capacity	m <sup>3</sup> /h	12	14
Total final pressure (Abs)	mbar - hPa	2	
Max inlet pressure for water vapour	mbar - hPa	35	
Max water vapour pumping rate	kg/h	0,30	
Motor power	(1~/3~) KW	0,45/0,37	0,55/0,45
Nominal r.p.m.	n/min	2800	3300
Noise level (UNI EN ISO 2151 - K 3dB)	dB(A)	62	64
Weight	(1~/3~) kg [N]	14 [137,3] / 12,5 [122,6]	
Type of oil	cod. DVP	BV32 (SW40)	
Oil quantity	dm <sup>3</sup>	0,30 ÷ 0,40	
Pump intake / outlet		1/2"G / 1/2"G *	
Continuous-duty working range (Abs)	mbar - hPa	400 ÷ 2	
Operating temperature @ 20°C	°C	60 ÷ 65	65 ÷ 70
Required room temp. for place of installation	°C	12 ÷ 40	
Ambient temperature for storage/transport	°C	-20 ÷ 50	
Max humidity / altitude		80% / 1000m s.l.m. **	

(\*) When the exhaust plug is removed.

(\*\*) Please contact us if environmental conditions are different from those prescribed.