

MD 10 (MY24)

OIL-LUBRICATED ROTARY VANE VACUUM PUMP

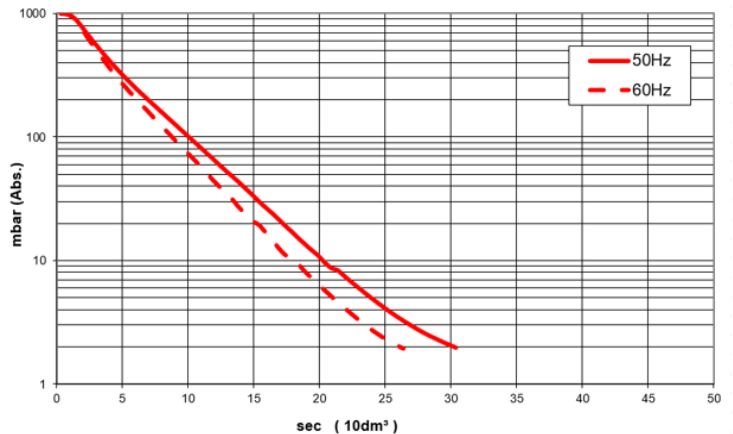
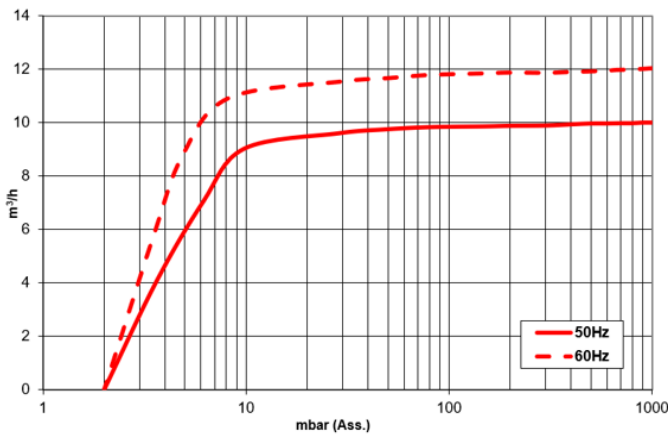


TECHNICAL DATA

		MD 10	
Code		9601075	
Frequency	Hz	50	60
Nominal flow rate	m ³ /h	10	12
Final total pressure	mbar (Abs)	2	
Maximum inlet air temperature	°C	40	
Oil type		SW 40	
Oil capacity (Min - Max)	dm ³	0,4	
Noise level (UNI EN ISO 2151±3dB)	dB(A)	59	62
Weight	kg	14,5	

18/05/2026 14:27 Subject to change without notice

CURVES

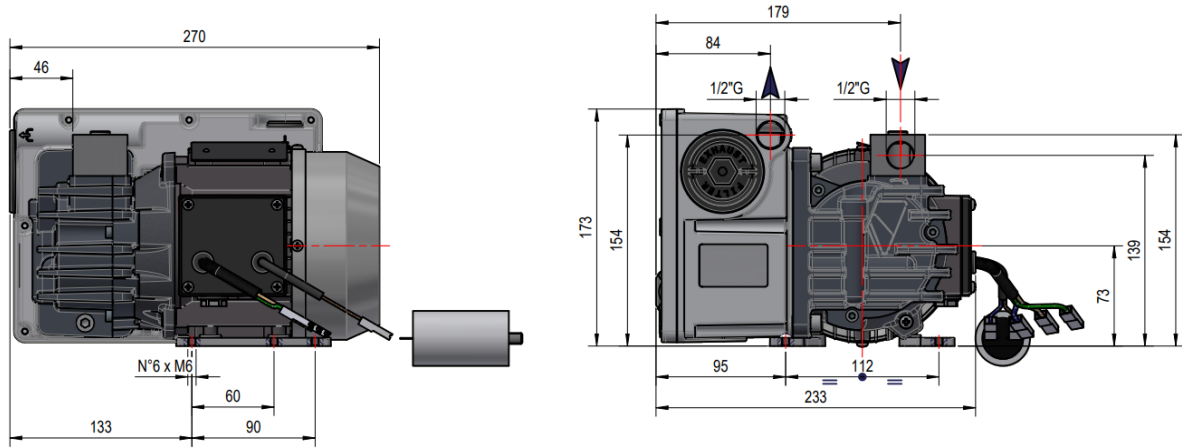


NOTE: Curves refer to suction pressure and temperature of 20°C (tolerance ±10%)

MD 10 (MY24)

OIL-LUBRICATED ROTARY VANE VACUUM PUMP

DIMENSIONS



MOTORS

MD 10 [1 phase]

ID	POWER [kW]	VOLTAGE [V]	FREQUENCY [Hz]	EFFICIENCY	RPM	Notes
MW	0,37	230 V	50	///	2800	S3 75%
MX	0,45	110 - 115 V	60	///	3300	S3 75% - UL
MN	0,37 0,45	100 V	50 60	///	2800 3300	S3 75%

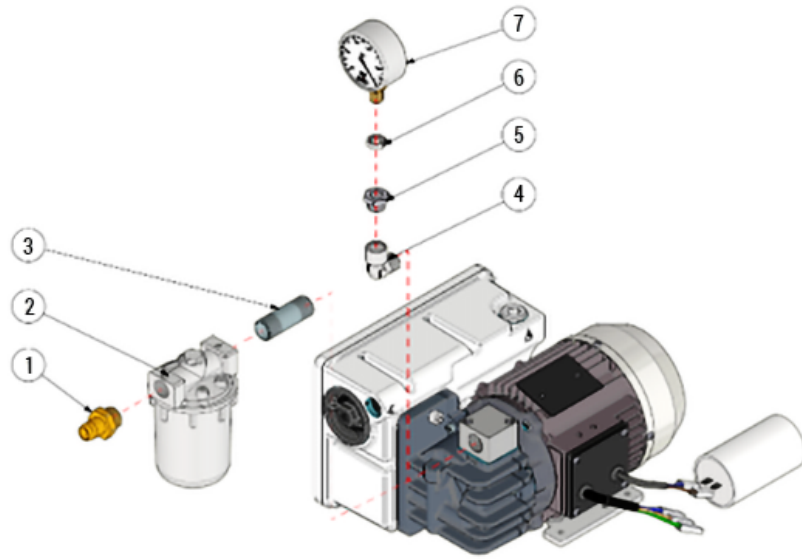
MD 10 [3 phase]

TN	0,37	Δ 175-260 / Y300-450 V	50	///	2800	S3 75%
	0,45	Δ 200-300 / Y346-520 V	60		3300	

18/05/2026 14:27 Subject to change without notice

MD 10 (MY24)

OIL-LUBRICATED ROTARY VANE VACUUM PUMP



ACCESSORIES

	CODE
1 ATV hose barb fitting	2103010
2 FCT Filtre	9001010
3 Fitting	5001003
4 Elbow fitting	2101008
5 Fitting	2001008
6 Nut	0202002
7 VMR Vacuum Gauge	9009009

18/05/2026 14:27 Subject to change without notice