

MD 16 (MY24)

OIL-LUBRICATED ROTARY VANE VACUUM PUMP

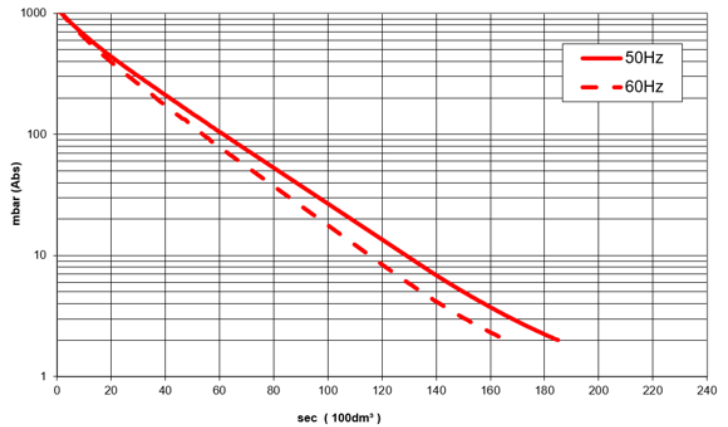
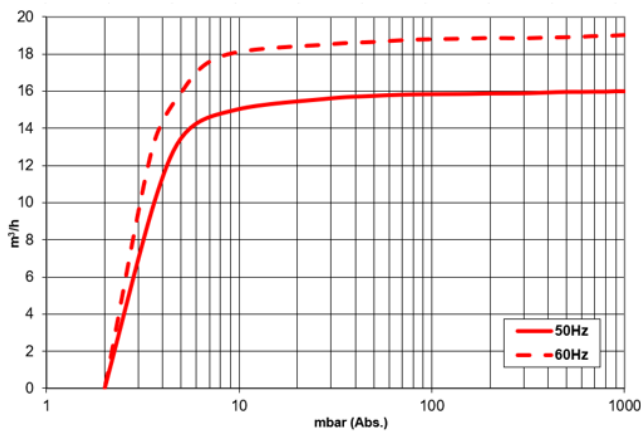


TECHNICAL DATA

		MD 16	
Code		9601076	
Frequency	Hz	50	60
Nominal capacity	m ³ /h	16	19
Final total pressure	mbar (Abs)	2	
Maximum inlet air temperature	°C	40	
Oil type		SW 40	
Oil capacity (Min - Max)	dm ³	0,4	
Noise level (UNI EN ISO 2151±3dB)	dB(A)	60	64
Weight	kg	16	

Subject to change without notice

CURVES

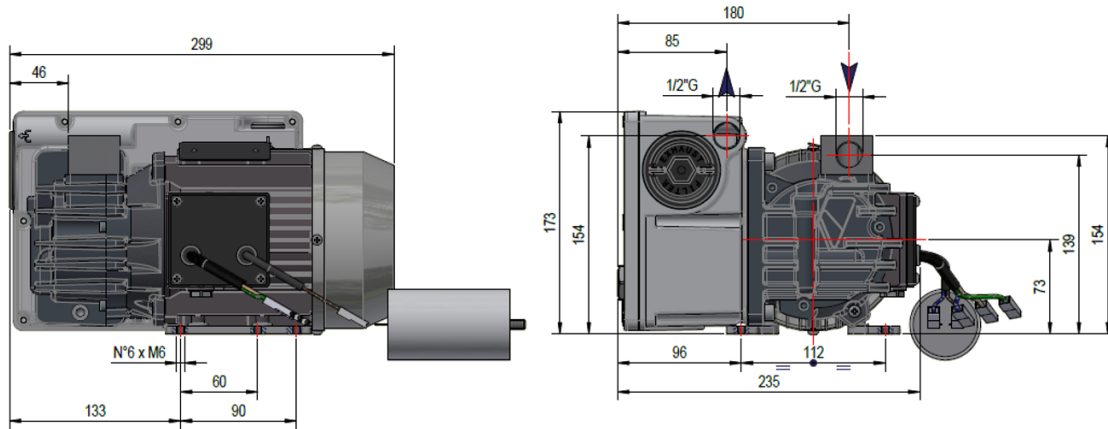


NOTE: Curves refer to suction pressure and temperature of 20°C (tolerance ±10%)

MD 16 (MY24)

OIL-LUBRICATED ROTARY VANE VACUUM PUMP

DIMENSIONS



MOTORS

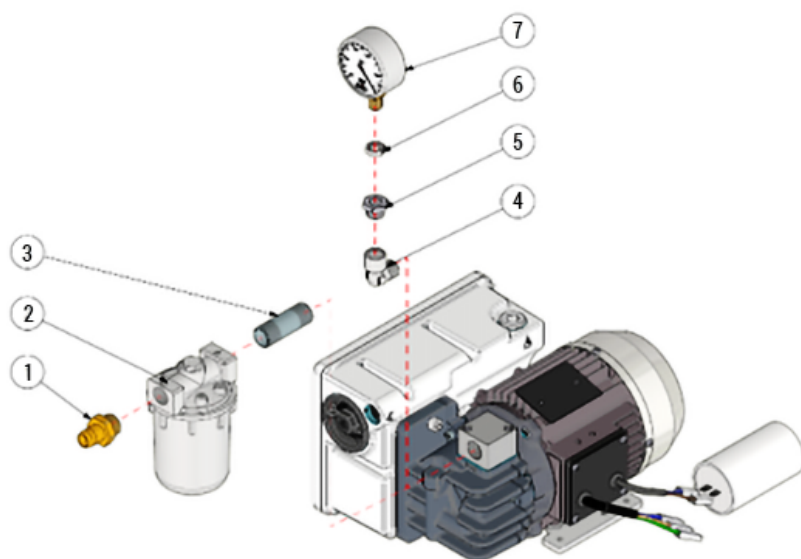
MD 16 [1 phase]

ID	POWER [kW]	VOLTAGE	FREQUENCY	EFFICIENCY	RPM	
MR	0,55	230 V	50	///	2800	S3 75%
	0,66		60		3300	
MX	0,66	110 - 115 V	60	///	3300	S3 75% - UL
MN	0,55	100 V	50	///	2800	S3 75%
	0,66		60		3300	
MD 16 [3 phase]						
TX	0,55	Δ 230 / Y400 V	50	IE2	2800	
	0,66	Δ 265 / Y460 V	60		3300	

Subject to change without notice

MD 16 (MY24)

OIL-LUBRICATED ROTARY VANE VACUUM PUMP



ACCESSORIES

	CODE
1	2103010
2 FCT Filtre	9001010
3 Fitting	5001003
4 Elbow fitting	2101008
5 Fitting	2001008
6 Nut	0202002
7 VMR Vacuum Gauge	9009009

Subject to change without notice